

DEPARTMENT OF DEFENSE (DOD)

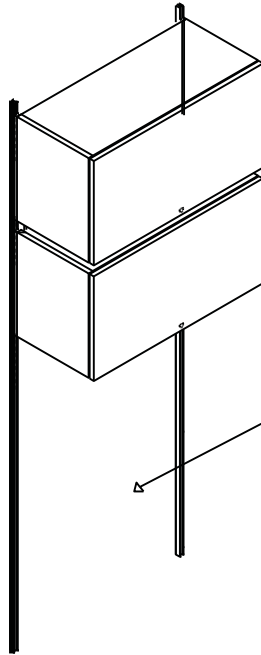
Joint Schedule Numbers (JSNs)

Storage and Display

E0800 – E0899



E0803



Hanging File Drawer
should go here

_____ 2'-6"



<u>QTY</u>	<u>DESCRIPTION</u>
2	Vertical Hanging Strips
2	Lockable Flipper Unit
3	Hanging File Drawer Shelf Dividers

Department of Defense

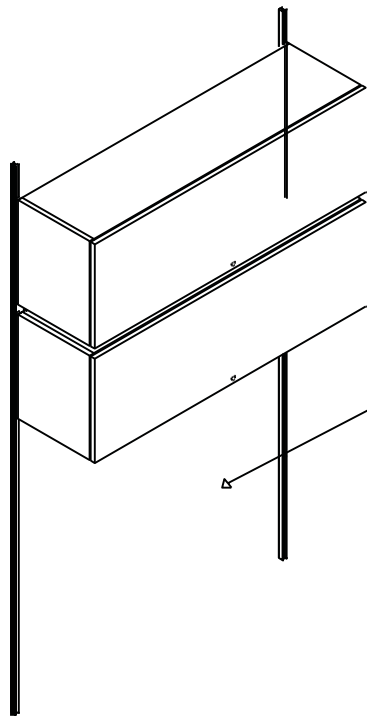
Storage and Display

4.11.21111
r: "-i"
N: >*c: .TSIV
, <nS

E0803



E0806



Hanging File Drawer
should go here

_____ 4'



<u>QTY</u>	<u>DESCRIPTION</u>
2	Vertical Hanging Strips
2	Lockable Flipper Unit
3	Hanging File Drawer Shelf Dividers

Department of Defense

Storage and Display

Date: 01/2001

Scale: S,
•»

Project Number:

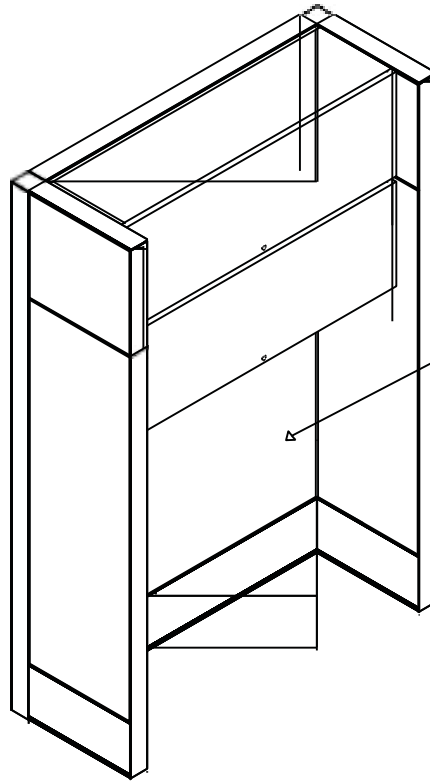
Revision Date:

E0806

Smart Workspace Solutions

1515 Holcomb Woods Parkway, Roswell, Georgia 30076
Phone: 770-641-2640 Fax: 770-641-2656





Hanging File Drawer
should go here

4'-6"
1882C
4882C
1882C

QTY	DESCRIPTION
2	Solid Panel, 85"H x 18"W
1	Solid Panel, 85"H x 48"W
2	Panel Connector, 85"H 2—Way Corner
2	Finished End Hardware 48"W Lockable Flipper Unit
2	48"W Hanging File Drawer Shelf Dividers

Department of Defense
Storage and Display

Date: 0112011
Scale: 1/4" = 1"

* , , N , C ' , *S*

>> • Serial Number •

Issue Date:

E0809

Smart Workspace Solutions
1515 Holcomb Woods Parkway, Roswell, Georgia 30076



E0821



Hanging File Drawer
should go here

_____ 2'-6" _____

<u>QTY</u>	<u>DESCRIPTION</u>
2	Vertical Hanging Strips
3	Shelf
2	Hanging File Drawer Shelf Dividers

DISPCAY SHEL/

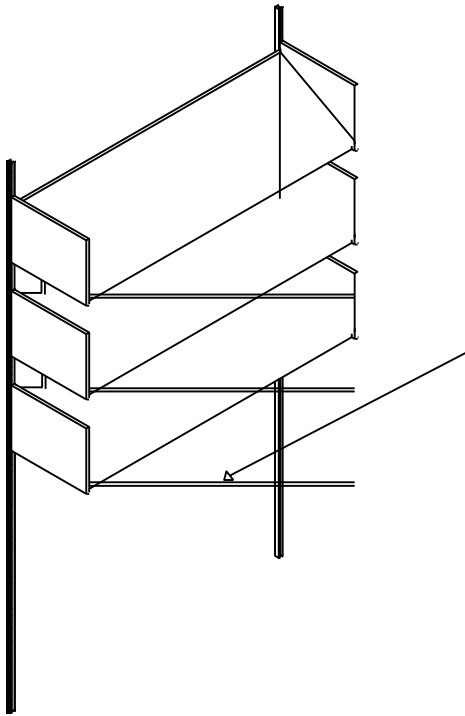
Department of Defense

Storage and Display

E0821

E0824





Hanging File Drawer
should go here

_____ 4'



<u>QTY</u>	<u>DESCRIPTION</u>
2	Vertical Hanging Strip
3	Shelf
3	Hanging File Drawer Shelf Dividers

Department of Defense

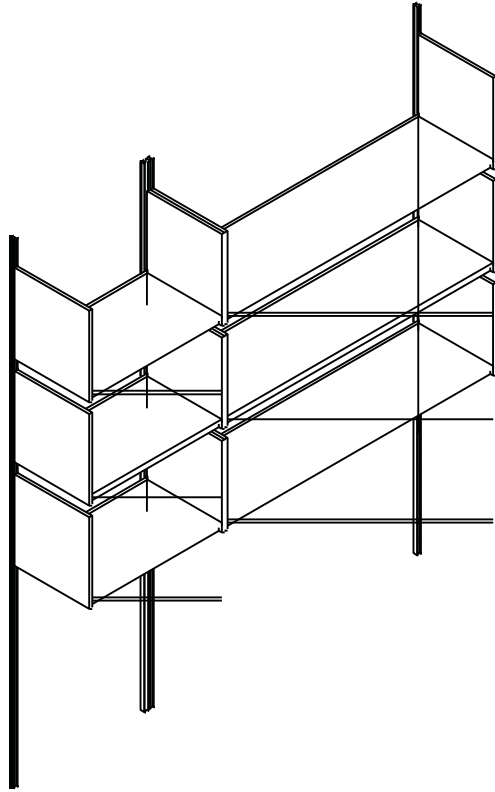
Storage and Display

Date: 1/1/00
Scale: 1/16" = 1"
Project Number: 16N

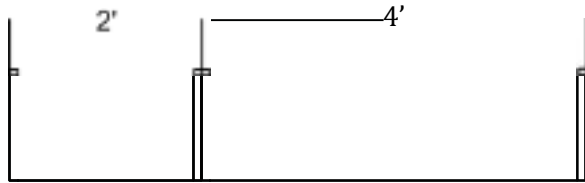
E0824

E0836





<u>QTY</u>	<u>DESCRIPTION</u>
3	Vertical Homing Strips
6	Extra Deep Shelves for Storage w/ Open Space Below for Freestanding Equipment



Department of Defense

Storage and Display

Date: 6.11.2011

Submit To: DDS

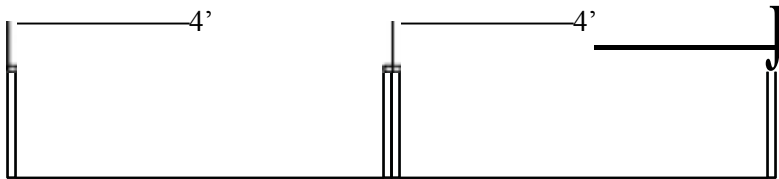
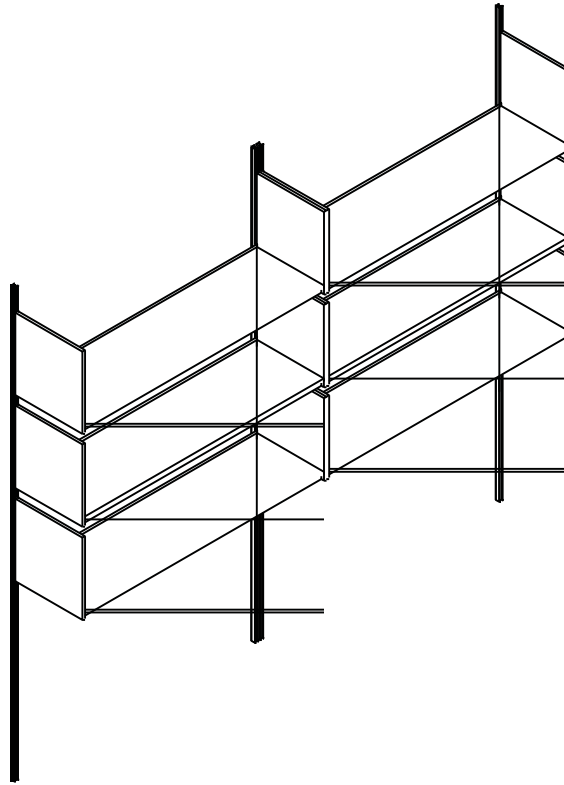
Revision Date:

E0836

1,51,5 Holcomb Woods Parkway, Rosivell, Georgia S007G
 one: 770-G41-2G40 Fax: 770-G41-2b,5b

E0839





<u>QTY</u>	<u>DESCRIPTION</u>
3	Vertical Hanging Strips
0	Extra Deep Shelves for Storage w/ Open Space Below for Freestanding Equipment

Department of Defense

Storage and Display

Date: 01.11.2011

DDS

Proposal Number:

Revision Date:

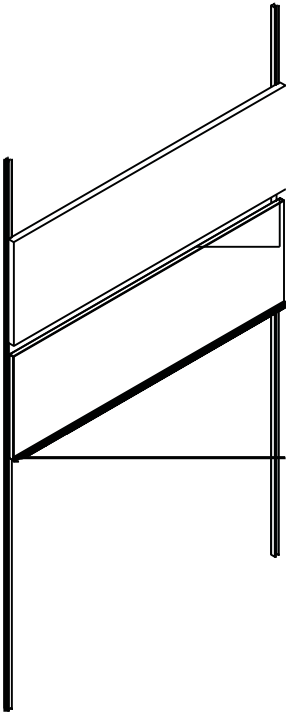
E0839

Other Partspace Solutions

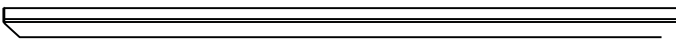
is is ri i r w d P, kovav, Rosivell, Georgia 30076
 Phone: 770-641-2640 Fax: 770-641-2656

E0851





_____4'



QTY	DESCRIPTION
2	Vertical Hanging Strips
1	Tackboard
1	Marketboard

Department of Defense

Storage and Display

Date:

Scale: 1/4" = 1'

Drawn Name:

DDS

Revision Date:

E0851